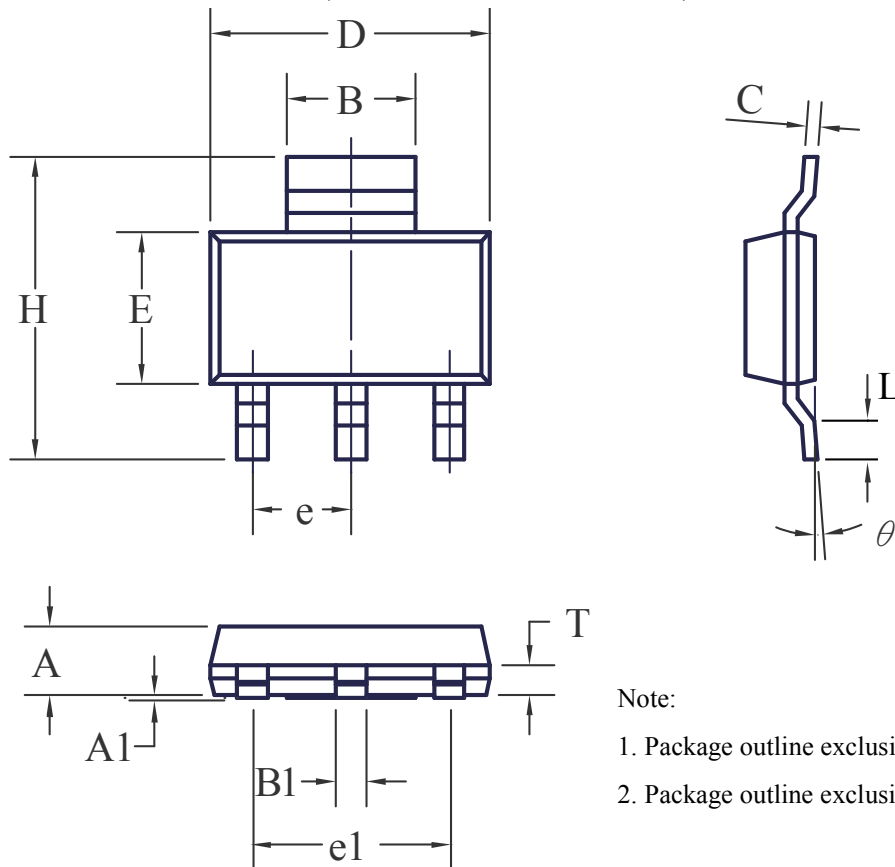


華瑞功率電子股份有限公司 / 華瑞股份有限公司

CET-MOS Corporation / CHINO-EXCEL TECHNOLOGY CORP.

SOT-223 產品外觀尺寸圖 (Product Outline Dimension)



Note:

1. Package outline exclusive of any mold flash dimension.
2. Package outline exclusive of burr dimension.

SYMBOLS	MILLIMETERS		INCHES	
	MIN	MAX	MIN	MAX
A	1.500	1.700	0.059	0.067
A1	0.020	0.100	0.001	0.004
B	2.950	3.200	0.116	0.126
B1	0.670	0.800	0.026	0.031
C	0.240	0.350	0.009	0.014
D	6.300	6.850	0.248	0.270
e	2.300 TYP		0.091 TYP	
e1	4.600 TYP		0.181 TYP	
E	3.300	3.800	0.130	0.150
H	6.700	7.300	0.264	0.287
L	0.900	--	0.035	--
T	0.600	0.800	0.024	0.031
θ	10° MAX		10° MAX	

TITLE	SH	OF	SPEC. NO.	REV.
-------	----	----	-----------	------