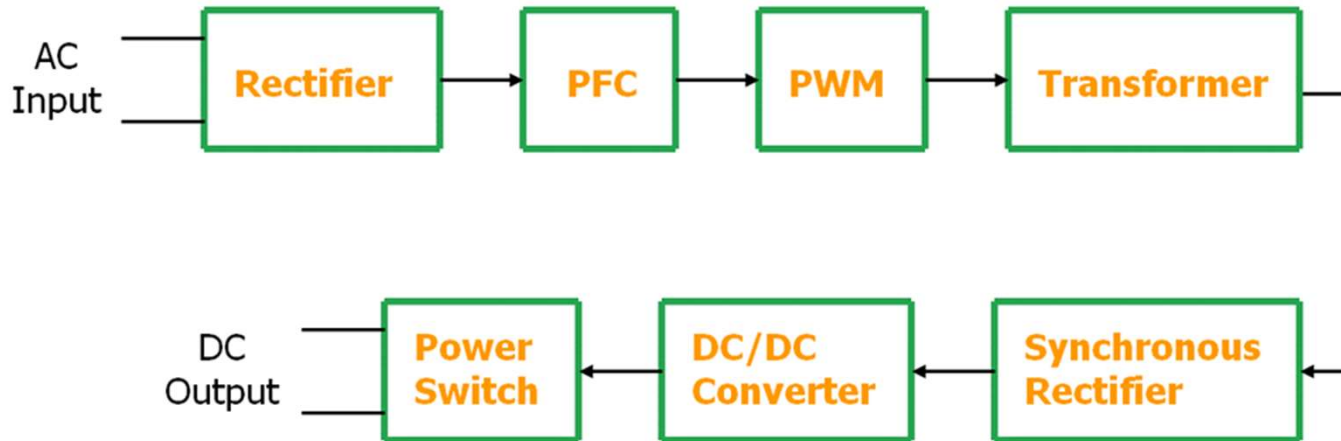


MOSFET Applications

Power Supply Unit (PSU) Solutions



PFC					PWM					Synchronous Rectifier					DC-DC Converter							
Voltage(V)	Package	PN#	Rds(ON)(mΩ) Vgs@10V	Qg(nC)	Voltage(V)	Package	PN#	Rds(ON)(mΩ) Vgs@10V	Qg(nC)	Voltage(V)	Package	PN#	Rds(ON)(mΩ) Vgs@10V	Qg(nC)	Voltage(V)	Package	PN#	Rds(ON)(mΩ) Vgs@10V	Qg(nC)			
500	TO-220F	CEF13N5B	460	38	650	TO-220F	CEF11N65S	420	19	65	TO-220F	CEP6040SL	4.6	26	30	TO-252	CEU3062	6.5	20			
		CEF18N5A	270	58			100	CEP1310S	8.4	38		PR PACK 5X6	CEZ3R01A	1.9			14					
CEF07N65SA	650	12	CEP1310SL	7.5				22	CEZ3R05	5.8			20									
CEF11N65S	420	19	CEP170N10S	3.7				88	CEZ3R06	8			9.4									
CEF13N65S	320	25	150	CEZ10R15				11.5	39	TO-252		CEU6026AL	2.7	35								
CEF20N65SA	180	42		PR PACK 5X6				CEZ10R15L	11.5		48	CEU6040SL	4.8	26								
CEF22N60SF	130	39					CEZ20R20	23	74	PR PACK 5X6	CEZ6R26AL	2.4	35									
CEF38N65SA	95	69					200	CEZ30R20	32		22	CEZ6R40SL	4.5	26								
CEF38N65SF	100	67																				
650	TOLL	CEL52N65S	56	100			CEZ30R20	32	22													
		CEL52N65SF	58	92																		
		CEL42N65S	95	69																		
		CEL42N65SF	100	67																		
		CEL68N60SF	37	130																		