

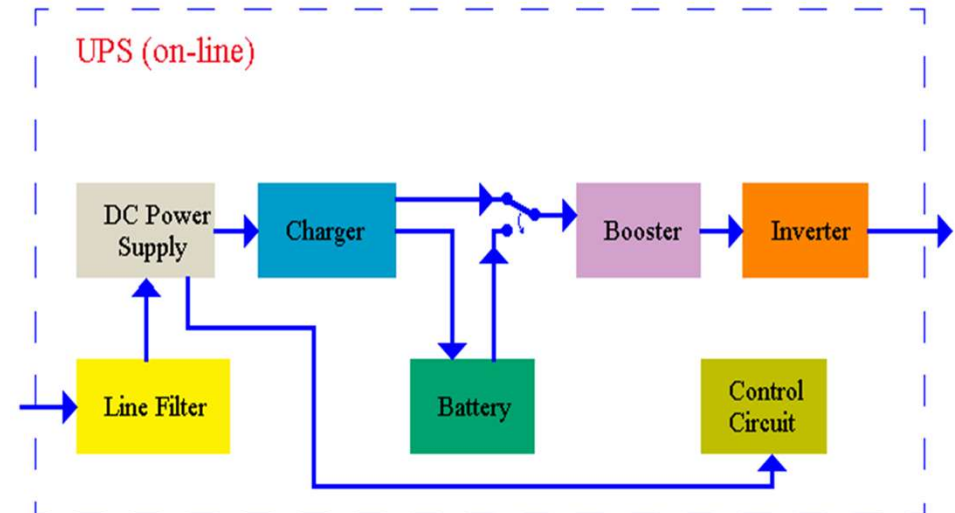
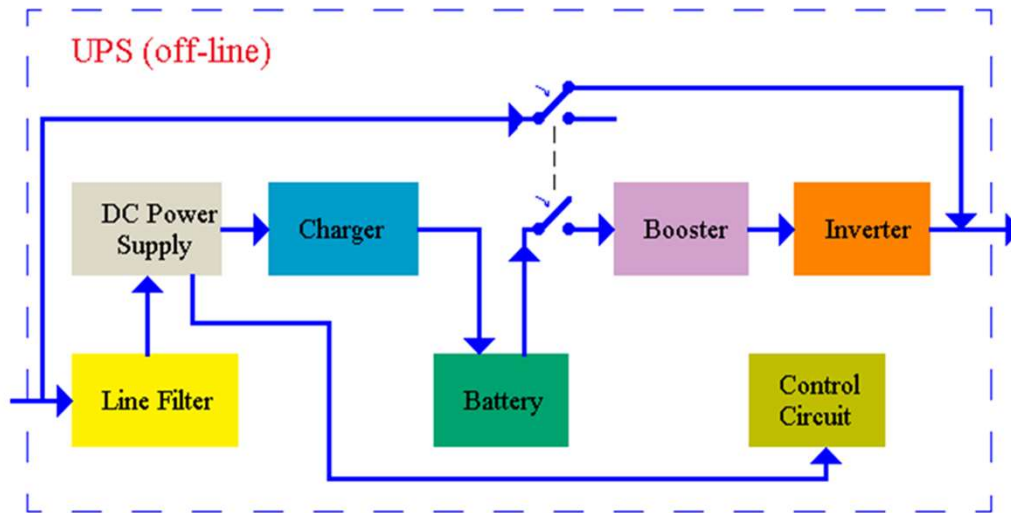
MOSFET Applications

Uninterruptable Power Supplies (UPS)

Product suggestion	Offline UPS	Online UPS
MOSFETs	Planar MOSFETs 30V~900V Super-Junction MOSFETs 600V~800V	Planar MOSFETs 30V~900V Super-Junction MOSFETs 600V~800V
SiC		SiC Schottky diode 650V~1200V SiC MOSFETs 1200V
IGBTs	IGBT 650V~1200V	IGBT 650V~1200V
Power module		Customized (>50KVA design)
Power rating	0~10KVA	10KVA~50KVA
Applications	Small office and Home office (SOHO)	Telecom Data center Server Industrial automation environments

Key features and benefits

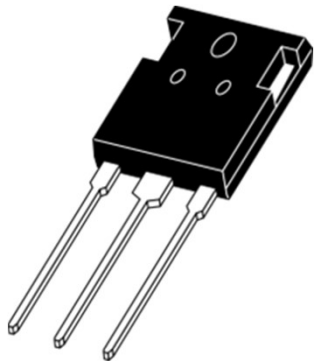
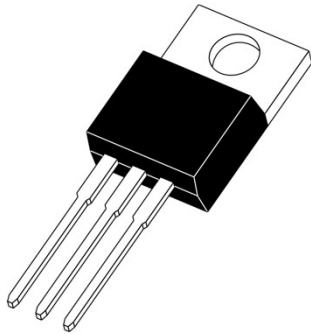
- Highly robust.
- Super-Junction technology for AC-DC applications requiring.
- Ultra-low switching losses.
- High voltage blocking capability.
- Fast switching.



MOSFET Applications

Uninterruptable Power Supplies (UPS)

Products Selection



	Voltage(V)	Package	PN#	Rds(ON)(mΩ) Vgs@10V	Qg(nC)
Charger	420	TO-220	CEP1588S	420	28
	650	TO-220	CEP11N65S	420	19
			CEP07N65SA	650	12
		TO-247	CEW20N65SA	180	42
	800	TO-220	CEP1188SA	720	17
	900	TO-220	CEP1195A	2750	30
	900	TO-220	CEP1194	3500	31
Booster	30	TO220	CEP83A3	5.3	53
	55	TO220	CEP3205	8.5	102.3
	60	TO220	CEP75N06	12	67.9
	60	TO220	CEP60N06G	16	52
Inverter	200	TO220	CEPF640A	150	23
	400	TO220	CEP740G	550	35.6
	500	TO220	CEP840B	800	22