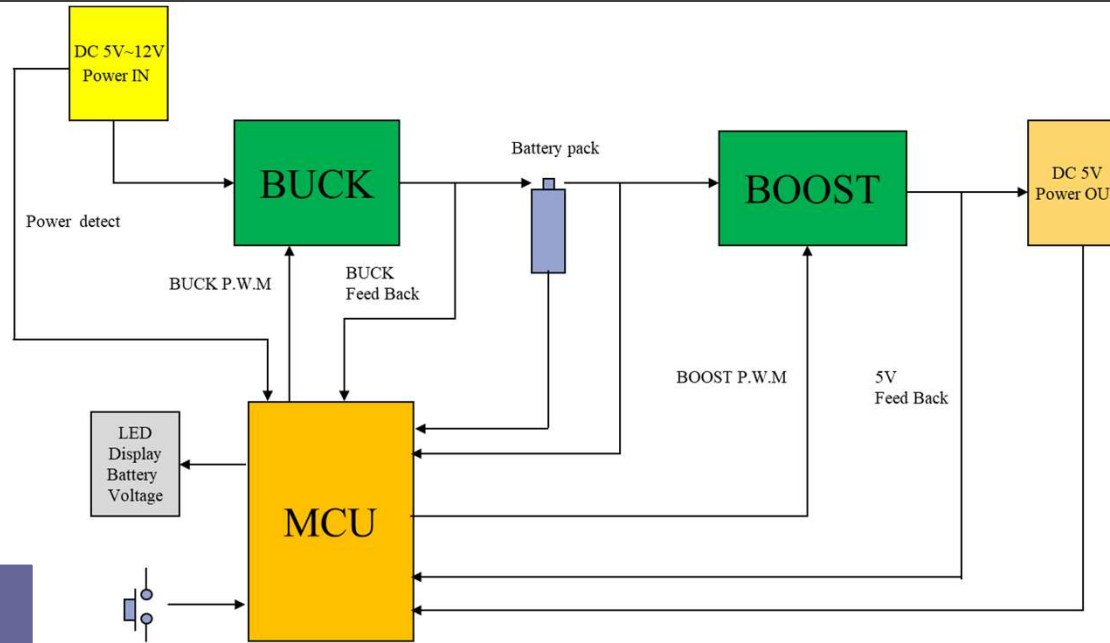


MOSFET Applications

Power Bank Solutions



BUCK/ BOOST

Switch

Voltage(V)	Package	PN#	Rds(ON)(mΩ) Vgs@10V	Qg(nC)
30	SO-8	CEM3062	7.8	20
	PR PACK5X6	CEZ10C3	1	64
		CEZ3R05	5.8	20
		CEZ3R06	8	9.4
	DFN 3X3	CEC3062	6.7	20
40	TO-252	CEU4092	8.3	16
		CEU4076	7	22
	PR PACK5X6	CEZ2R04	2.4	17
60	TO-252	CEU6024L	2.5	30
		CEU6072AL	8	7.7
	PR PACK5X6	CEZ6R56L	5.3	17
		CEZ025R06L	2.5	24
65	TO-263	CEB6040SL	4.6	26
	TO-252	CEU6076	8.7	22

Voltage(V)	Package	PN#	Rds(ON)(mΩ) Vgs@10V	Qg(nC)
-30	TO-252	CEU60P03	9	24
		CEU3053A	5.8	53
	PR PACK5X6	CEZ3P08A	8.4	24
-40	TO-252	CEU4301A	35	11
		CEU4175	18.5	19
-60	TO-252	CEU6185	20	38
	PR PACK5X6	CEZ6185	18	38