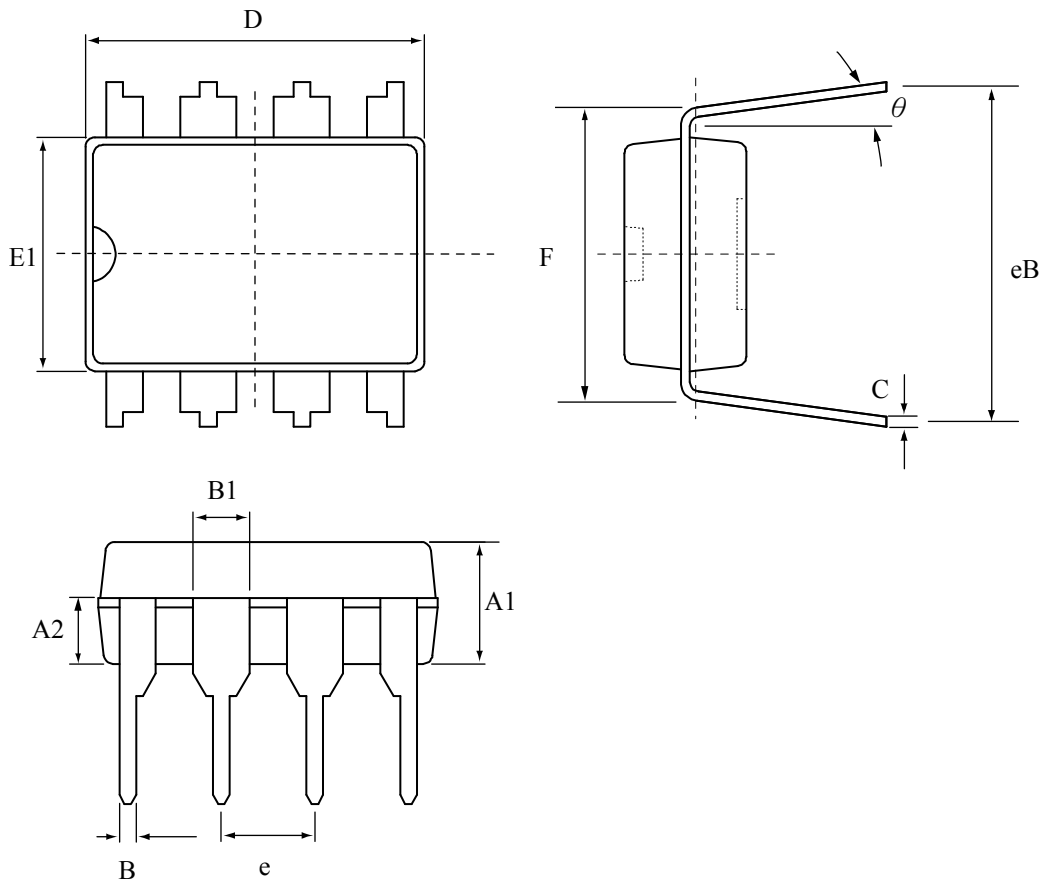


華瑞功率電子股份有限公司

CET-MOS Corporation

PDIP-8 產品外觀尺寸圖 (Product Outline Dimension)



SYMBOLS	MILLIMETERS		INCHES	
	MIN	MAX	MIN	MAX
A1	3.200	3.400	0.126	0.134
A2	1.423	1.626	0.056	0.064
B	0.356	0.559	0.014	0.022
B1	1.422	1.626	0.056	0.064
C	0.178	0.330	0.007	0.013
D	9.017	10.160	0.355	0.400
E1	6.502	6.706	0.256	0.264
e	2.290	2.790	0.090	0.110
F	7.493	7.747	0.295	0.305
eB	7.747	10.287	0.305	0.405
θ	0°	15°	0°	15°